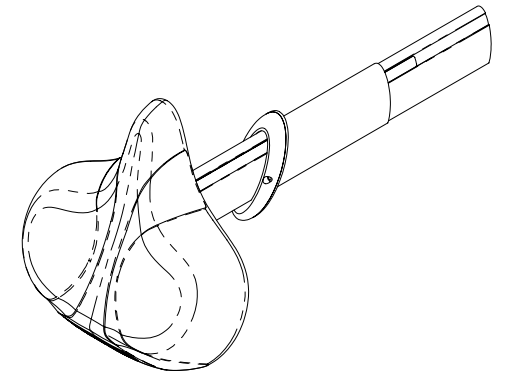
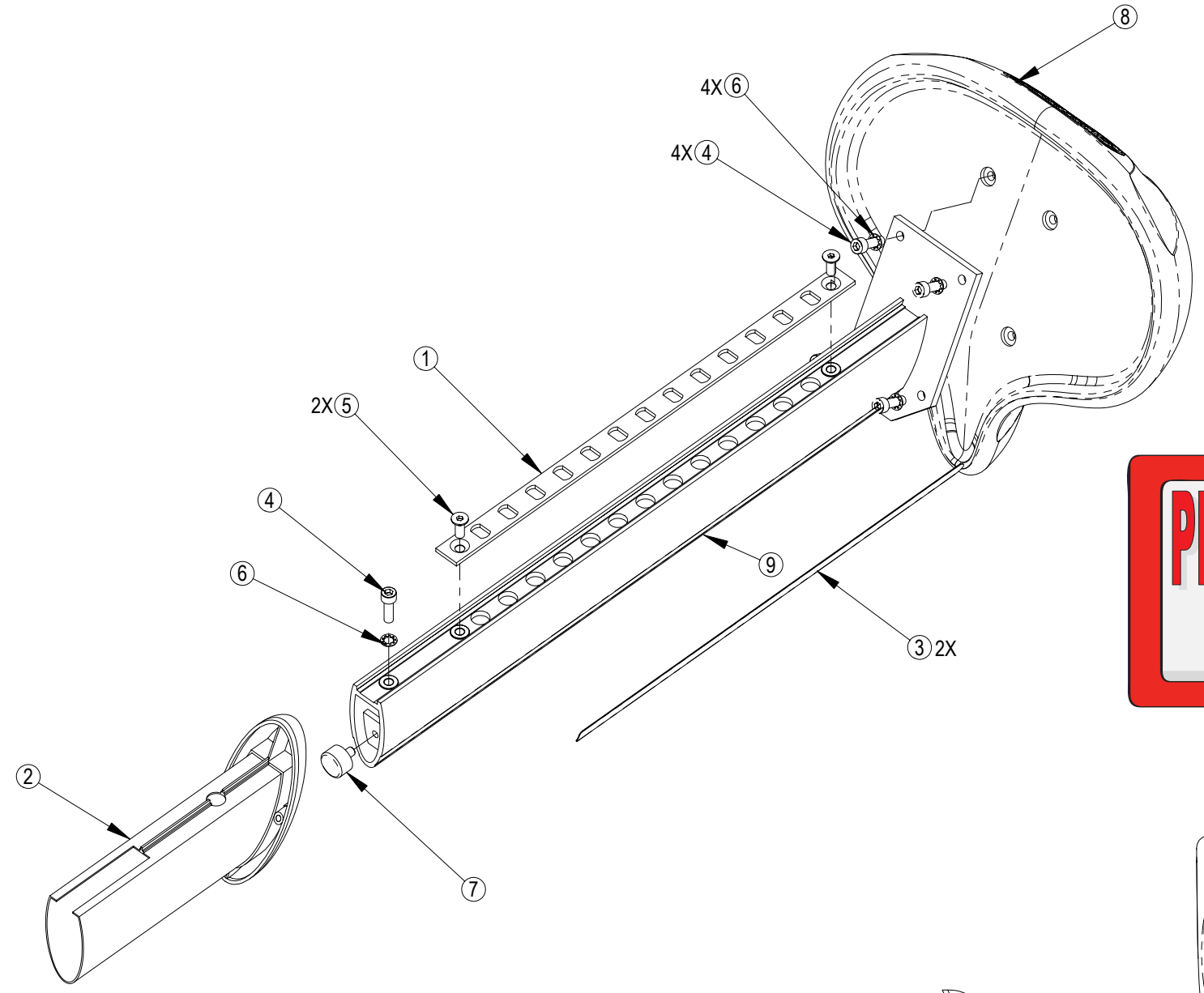


9 8 7 6 5 4 3 2 1

REVISIONS				
REV	DATE	DESCRIPTION	ECO	BY
A	12-10-03	PRODUCTION RELEASE.	11066	VC



ITEM	PART NO.	DESCRIPTION	QTY
1	020-6440	RACK, UPRIGHT SEAT	1
2	020-6451	SLEEVE, SEAT POST, UB	1
3	050-1860	STICKER, HEIGHT, UPRIGHT	2
4	110-3171	SCREW, M6x20, SHC, HE, ISO4762	5
5	110-3172	SCREW, M6x16, FHM, HE, ISO10642	2
6	120-3257	WASHER, M6, TEETH, 0.6THK	5
7	140-3240	BUMPER, 3/4x7/16x8-32, RUBBER	1
8	718-1099	SADDLE, UPRIGHT BIKE	1
9	718-1101	WELDMENT, SEAT POST	1

NOTES: UNLESS OTHERWISE SPECIFIED
1. INTERPRET PER ASME Y14.5 M.

NOTICE OF PROPRIETARY INFORMATION
THIS DOCUMENT SHALL NOT BE REPRODUCED NOR
SHALL THE INFORMATION CONTAINED HEREIN BE
USED BY OR DISCLOSED TO OTHER EXCEPT AS
EXPRESSLY AUTHORIZED BY UNISEN

MATERIAL	TOLERANCES UNLESS OTHERWISE SPECIFIED		UNISEN INC. 14410 Myford Road Irvine CA 92606	
SEE BOM	X.XXX = ±0.25 (.010")	X.XX = ±0.76 (.030")	TITLE	
	X.X = ±1.27 (.050")	X. = ±3.20 (.125")	A REV ASSY, SEAT POST, UB PRO	
FINISH	INITIAL	DATE	SCALE 1:4	SIZE PART NO
NONE	FJM	01-15-03	SHEET 1 OF 1	B 718-1100
	CHECKED			
	APPROVED			
	U.O.M.	MM		

9 8 7 6 5 4 3 2 1